



A I T H E R

THEA LINEAR CHANDELIER

THEA LINEAR CHANDELIER CREATOR DOUGLAS LEVINE



DIMENSIONS

Width 58.75 in (149.23 cm)
Depth 8.4 in (21.59 cm)
Height 8.0 in (20.32 cm)
Minimum OAD 12.5 in (31.75 cm)
Maximum OAD 153.5 in (389.89 cm)

CANOPY

Width 36.0 in (91.44 cm)
Depth 6.0 in (15.24 cm)
Height 1.94 in (4.93 cm)

SUSPENSION

Rigid Stem. Specify drop upon order placement.

WEIGHT

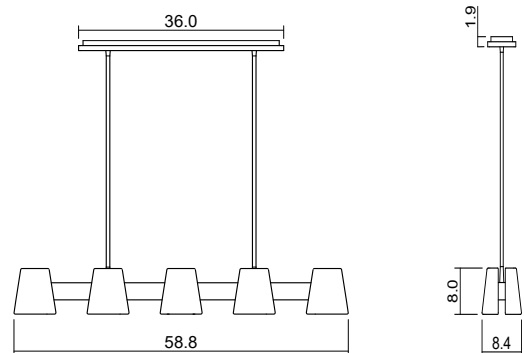
200 pounds (90.72 kg)

ELECTRICAL

Integrated LED, Dimmable Driver, 120V or 220V,
4000 Lm, 2700K, 90+ CRI
UL Listed, cUL Listed, CE Listed, IP41

INSPIRATION

Named after the goddess of sight and vision, Thea is coyly ambiguous, leaving the door open to much interpretation. A melting slab of ice, a module careening through space and time, a 100-year-old chunk of glass that was unearthed and reworked for a new chapter. Available in chandelier, pendant and sconce forms, Thea's silver, gold, and richly toned metalwork is encased in hand-etched cast glass evoking the trace of time.



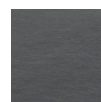
FINISH OPTIONS



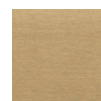
Polished Nickel



Aged Nickel



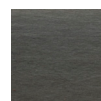
Dark Nickel



Natural Bronze



Vintage Bronze



Statuary Bronze