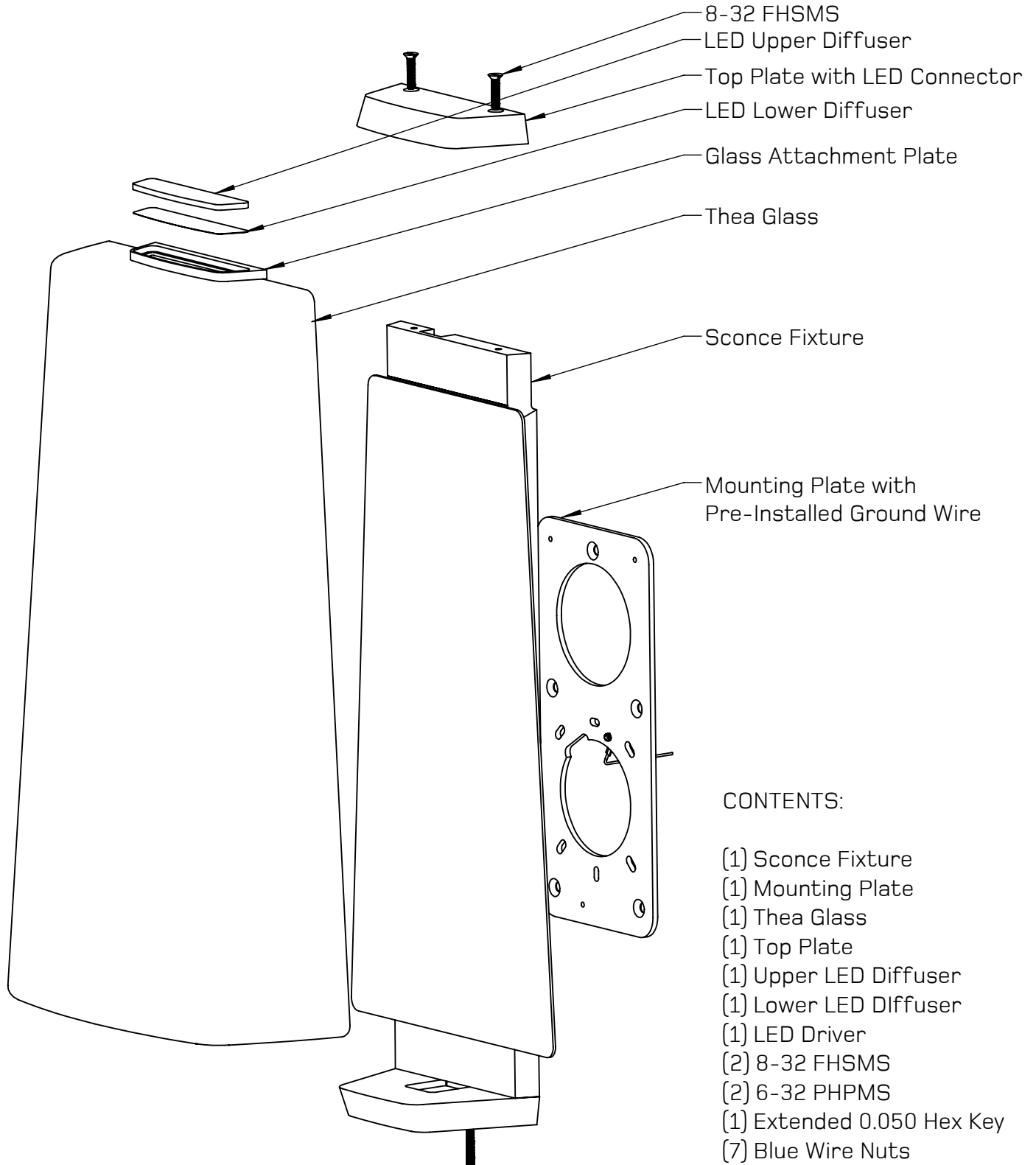


AITHER

Thea Sconce

Installation Instructions

INSTALLATION MUST BE PERFORMED BY A QUALIFIED ELECTRICIAN
PLEASE USE THE FOLLOWING DIAGRAM AND STEPS FOR INSTALLATION




CONTENTS:

- (1) Sconce Fixture
- (1) Mounting Plate
- (1) Thea Glass
- (1) Top Plate
- (1) Upper LED Diffuser
- (1) Lower LED Diffuser
- (1) LED Driver
- (2) 8-32 FHSMS
- (2) 6-32 PHPMS
- (1) Extended 0.050 Hex Key
- (7) Blue Wire Nuts

WEIGHT: 35 lbs

NOTE: DO NOT OVER TIGHTEN SCREWS
REV 7/12/2024

UL Approved in the US and Canada.  1/4

AITHER

Thea Sconce

Installation Instructions

INSTALLATION MUST BE PERFORMED BY A QUALIFIED ELECTRICIAN
PLEASE USE THE FOLLOWING DIAGRAM AND STEPS FOR INSTALLATION

INSTALLATION INSTRUCTIONS:

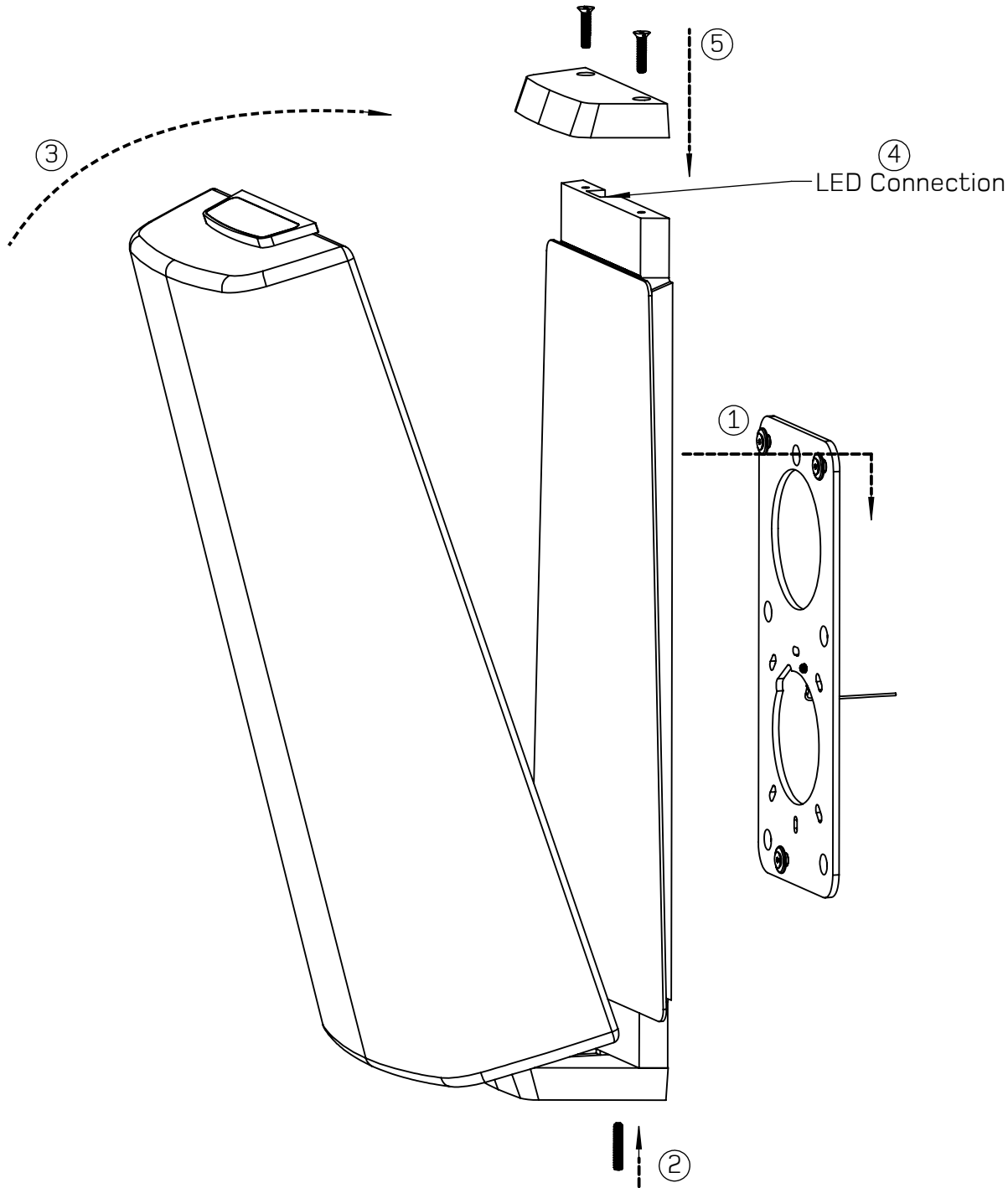
1. Make sure all power is shut off to the J-Box (Junction Box) where the fixture will be installed.
2. Check the orientation of the (Mounting Pan/ Mounting Plate/ Mounting Bracket/ etc.).
3. Make electrical connections from source power to input wires on the high voltage side of the LED Driver. Secure LED Driver in the J-Box.
4. Remove the Mounting Plate from the Sconce Fixture by loosening the 4-40 Mounting Set Screw accessed through small hole in the bottom of the fixture using the provided extended hex key.
5. Prepare Mounting Plate for installation by making the ground connections with the J-Box, and pull output low voltage wires from LED Driver through center hole in the plate.
NOTE: If not using 0-10V dimming, cap and secure 0-10V dimming wires.
6. Secure Mounting Plate to the Wall or J-Box with appropriate hardware and/or anchors per installation requirements.
NOTE: Mounting requirements and hardware to be determined and provided by installer
7. Remove the Top Plate from the Sconce Fixture by removing the 8-32 FHSMS. Ensure LED connector is disconnected and set aside.
8. Raise fixture to mounting location and make electrical connections from the fixture wires to the output wires on the low voltage side of the LED Driver in the J-Box. Use leads labeled for low voltage use. Ground fixture using pre-installed ground wire. Secure all excess wires in the J-Box. See Wiring Diagram.
NOTE: Red (+) to Red (+); Black (-) to Black/Blue (-)
9. Install fixture to Mounting Plate by aligning and inserting stand-offs in fixture to key slots in Mounting Plate.
NOTE: Ensure LED connector on fixture remains accessible and does not fall between the fixture and the wall.
10. Secure fixture to Mounting Plate by tightening Mounting Set Screw using the extended hex key.
11. Install glass in fixture by placing the glass on the fixture to rest on the Bottom Plate. See Figure A-1.
12. Connect LED plug to connector in fixture.
13. Secure glass by installing Top Plate using 8-32 FHSMS.
NOTE: Ensure both diffusers are in on top of glass.

AITHER

Thea Sconce


Installation Instructions

INSTALLATION MUST BE PERFORMED BY A QUALIFIED ELECTRICIAN
PLEASE USE THE FOLLOWING DIAGRAM AND STEPS FOR INSTALLATION



WEIGHT: 35 lbs

NOTE: DO NOT OVER TIGHTEN SCREWS
REV 7/12/2024

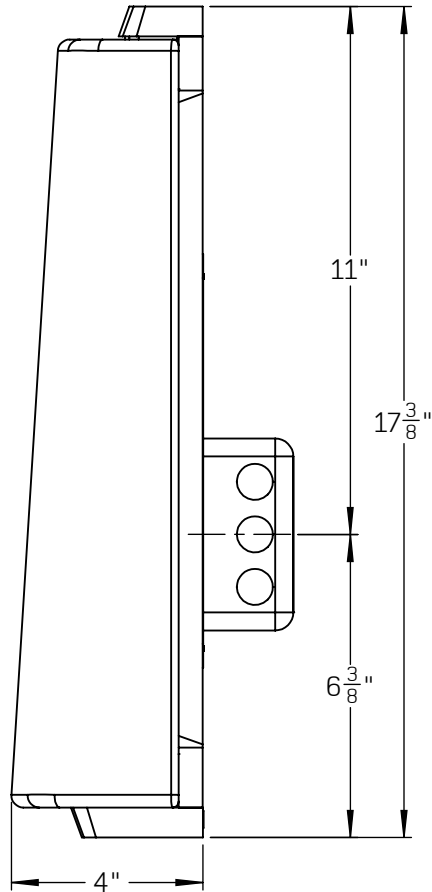
UL Approved in the US and Canada.  3/4

AITHER

Thea Sconce

Installation Instructions

INSTALLATION MUST BE PERFORMED BY A QUALIFIED ELECTRICIAN
PLEASE USE THE FOLLOWING DIAGRAM AND STEPS FOR INSTALLATION



WIRING DIAGRAM

